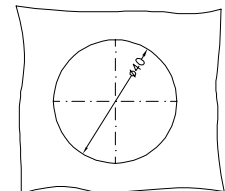
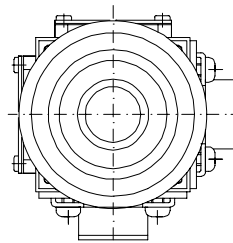
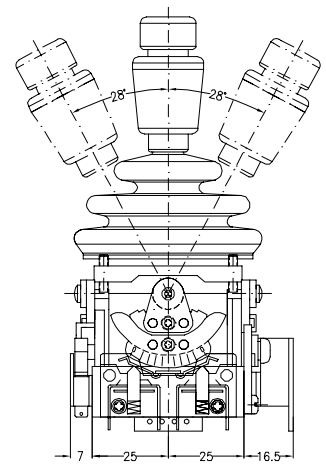
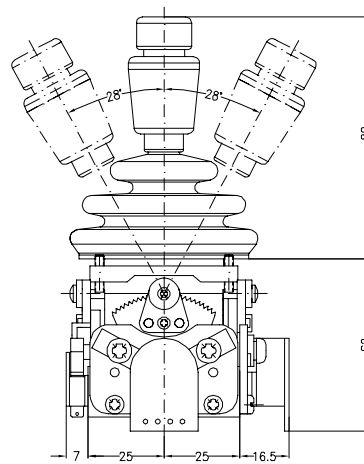
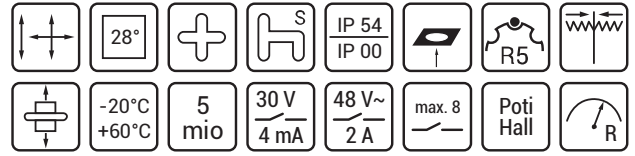




MON

Small, durable and reliable.

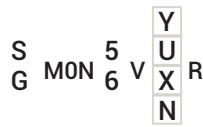
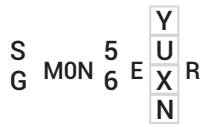
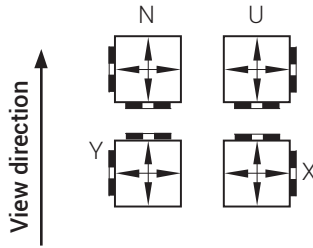
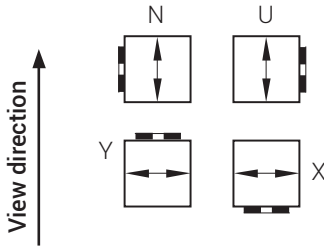


The M0 mini joystick is designed for digital applications with up to 5-0-5 step output and / or analogue applications with stepless output potentiometers. Micro-switches or analogue sensors are installed with modular double contacts on the drive block made of durable PA6 GF30 plastic. Of course, resistance to ozone, UV radiation, oil, and maritime climate is mandatory. Despite a very low installation depth, both a single drive and compound drive with spring-return can be provided. With installation of micro-switches, the joystick developed for low voltages

can also be used for operating voltages of up to 230 VAC. For added stability, the high handle shaft was produced from metal and thus installation of a pushbutton in the handle is also enabled. An X-Y connecting link is also available in addition to the standard connecting link for handle deflection of up to 26 degrees. With its low weight and small dimensions, the joystick is intended for installation in portable panels and as a control switch for auxiliary functions.

Drive arrangement E
Dimension sheet TI-S-6

Drive arrangement V
Dimension sheet TI-S-6



Note: In case of missing declaration of arrangement, version U will be produced.





Scope of supply, additional charge, type code

Scope of supply MON:

- Standard handle G49
- Rubber boot 50 mm or 60 mm
- Spring return

Handles, attachments:

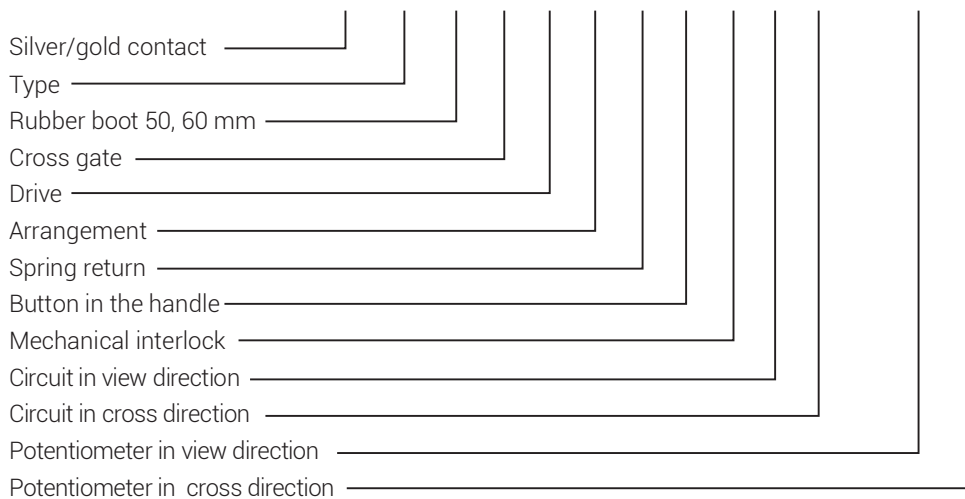
- | | |
|---------------------|----------------------------|
| Fitting in handle | see sheet G-1/4 |
| Potentiometer, Hall | see sheet E-Electronic-... |
| Circuit | see sheet TI-S-6 |

Additional charge:

- Circuits see sheet J-MON-S
- Double contact element, silver, soldered connection
- Double contact element, gold, soldered connection
- Cross gate KK
- Special gate SK
- Mechanical interlock Z

Type code:

S 5 E U
 N
 X
 G M0N 6 KK V V R HD Z 9P1.8P1 + B55.B1010


Note:

- Rubber boot Ø 50 mm only until max. 2-0-2 switching positions possible
- Contact load with gold contacts: max. 30 VDC 4mA
- Contact load with silver contacts: max. 48 VAC 2A
- Version for 230 VAC on request