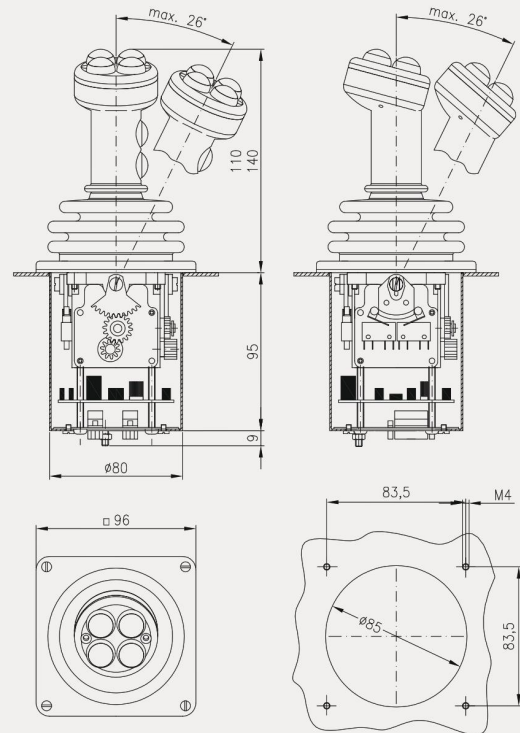
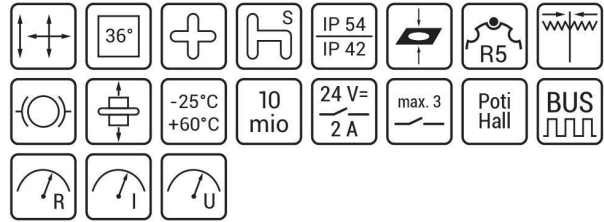


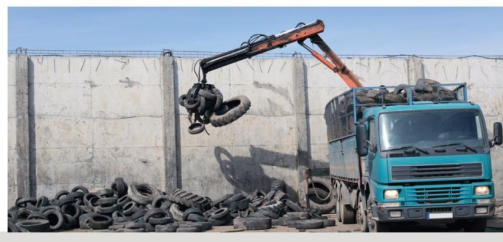
CS1

Compact 2-axis joystick with bus connection.



This compact, yet versatile joystick series is proof that joysticks do not have to be large. The durable and precise metal gear, controlled with an 8 mm (12 mm for single drive) handle shaft, drives with stamped cam discs, micro-switches, or metal gears or conductive plastic or wire-coiled potentiometers. Electronic interfaces for bus connection and amplifier assemblies for analogue transmission that are protected and shielded with a metal enclosure cup can be optionally installed under the impact-resistant, anti-aging plastic

drive block. The wide range of options are made possible on the basis of a modular principle including standard and special connecting links, nameplates, rubber boots, and handles. If a version meeting your requirements is not included, we can develop one that is specially optimized for your application.



© Terex Port Solution