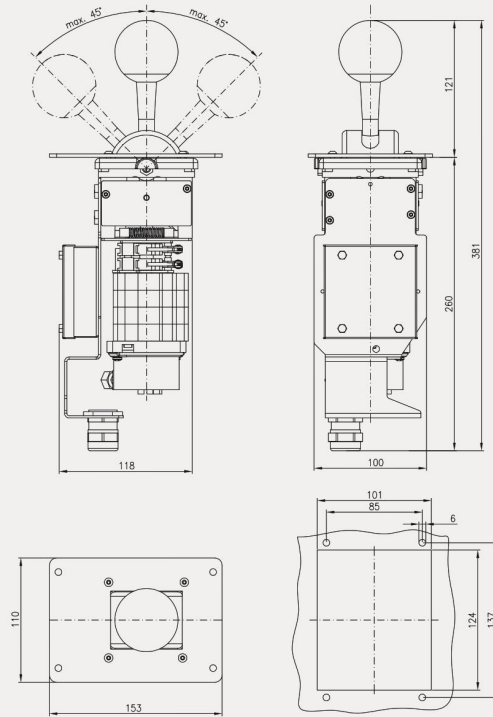
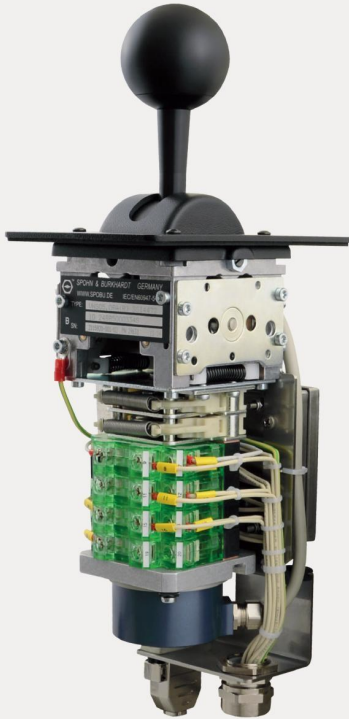
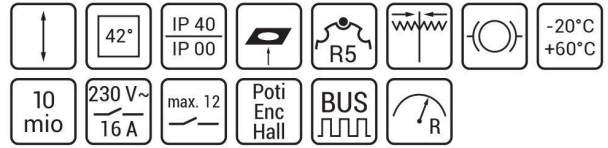


# FBS

The railway professional.



The FBS, a special version of the VNSO, is a switch developed for travel and braking operations used in trams and numerous other railway vehicles. It has been field-tested in practice over

many years and has an impressively long service life and high reliability. In addition to its modular ergonomic design, it is resistant to ozone and UV radiation, so it can withstand harsh

