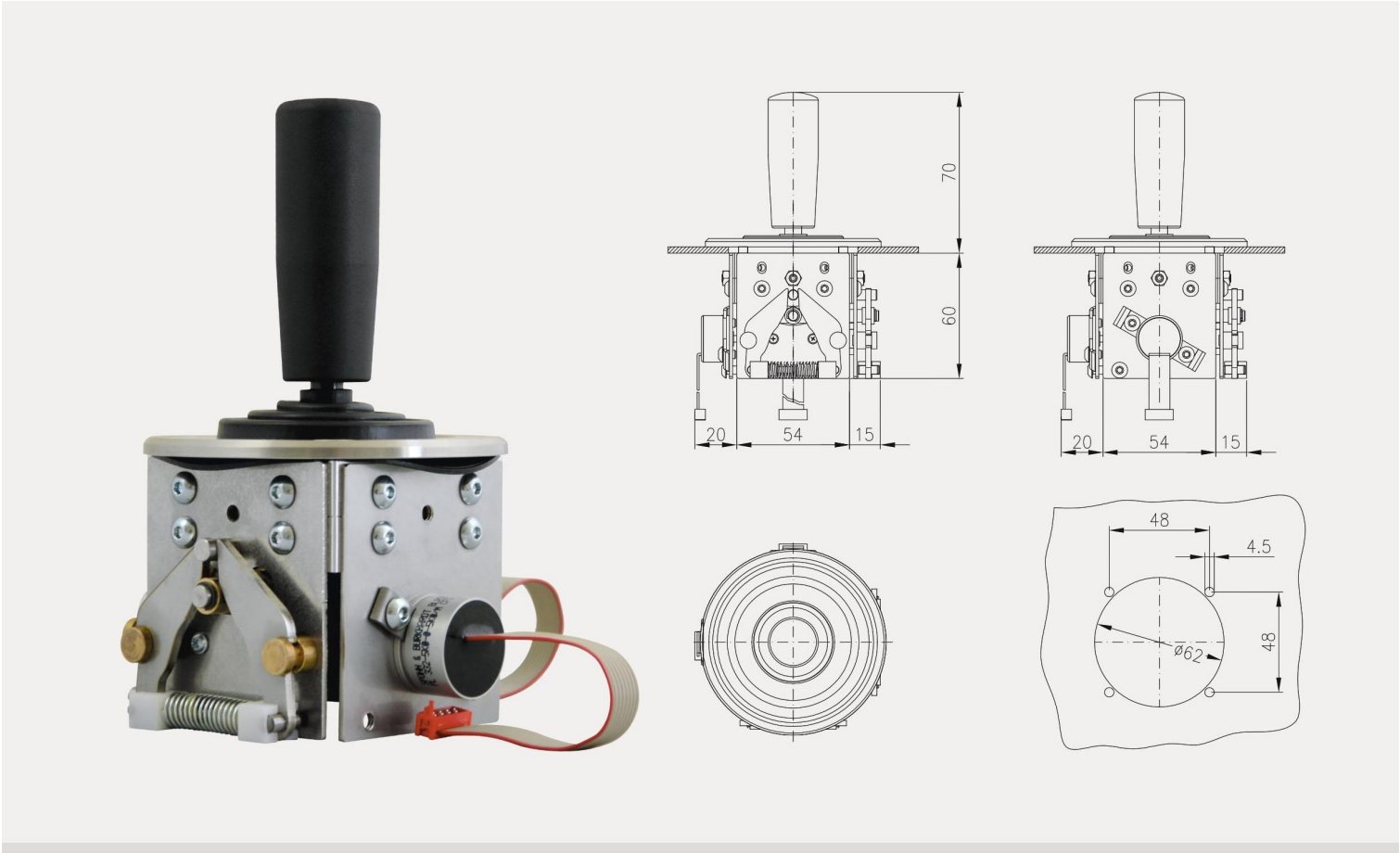


JMS3

For the highest precision.



All-metal joystick manufactured with the highest precision. An aluminum base element is assembled with a positive-locking fit on the modular stainless steel and brass parts. Low-force and precise control is achieved with a solid brass gear and special oil-damped rotation dampers. Potentiometers or encapsulated HALL sensors are flange-mounted on the side for analogue output signals; on request, they can be installed with zero-play gearing based on a special design. The spherical cap with ball bearing and linkage are installed inverted in order to achieve a very compact design. This design solu-

tion assures a low handle height, which also facilitates exact and direct operation. The specially designed rubber boot visually completes the very flat appearance from above. Equipped with specially developed finger grips, this joystick is installed increasingly often in control consoles, control stands, and desks. This joystick demonstrates its strengths in applications requiring reliable control of fast vehicles and machines or extremely precise approach and alignment of loads in crane applications.

