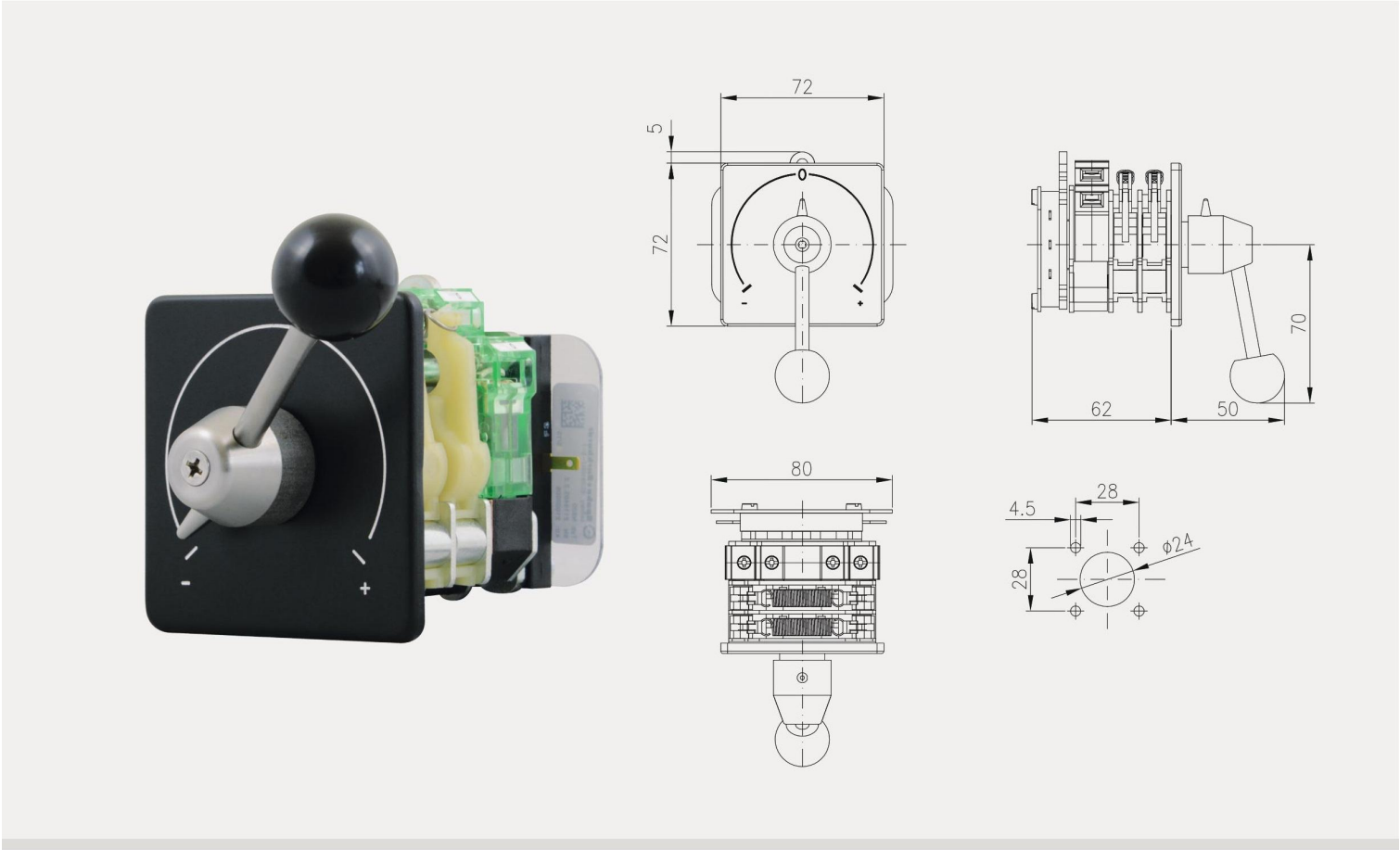


# NS00, NS20

Robust.



The NS00 and NS20 are very robust rotary switches with 6 and 12 mm diameter metal square shaft, aluminum nameplate, and cam-actuated contacts. The switch contacts, embedded in double contact modular blocks, with positive break by cam discs, are available in a gold-plated version for low voltage, as a silver contact for standard applications,

or with permanent magnetic blowout for direct current. With metal notched discs from our modular program or custom positive-locking flanged potentiometers or encoders according to customer specifications, these rotary switches reliably handle control tasks in switch panels, control stations, and on-deck control stations.

